

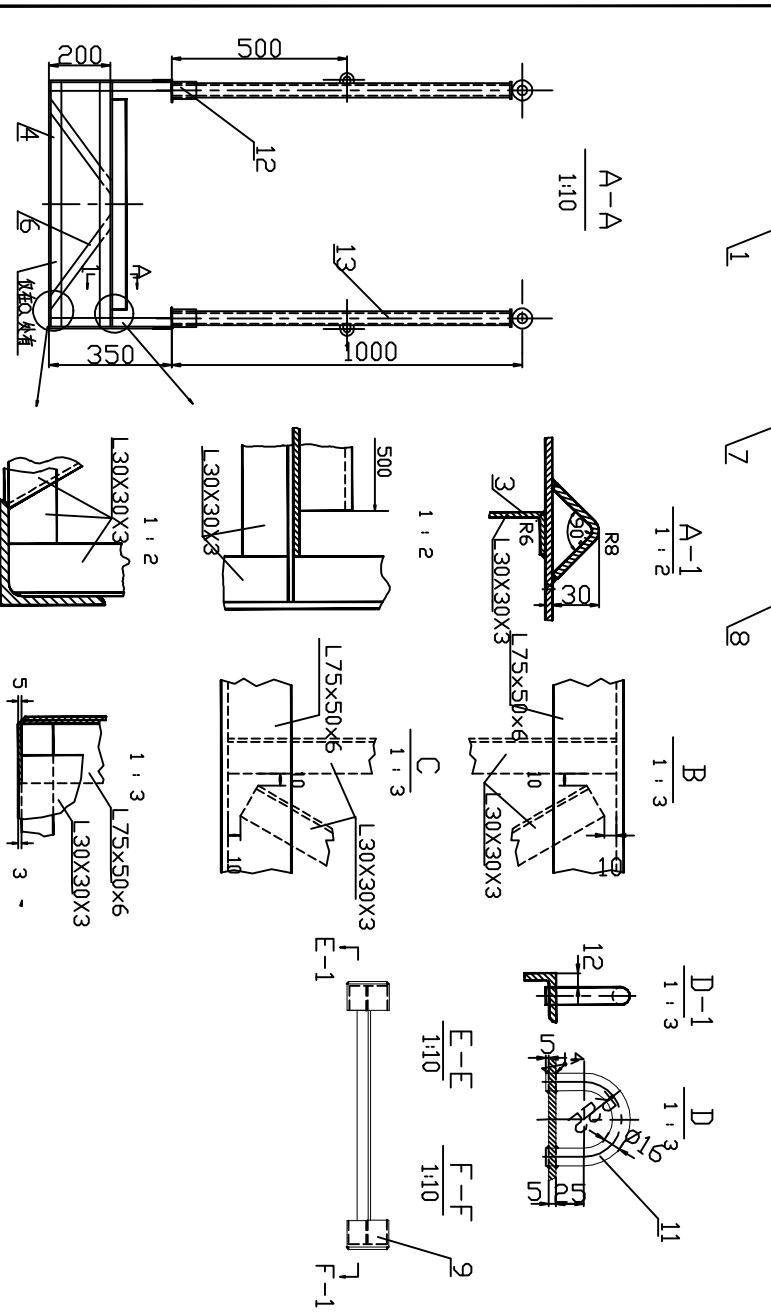
踏步间距 400X18=7200
7500

Technical requirements

1. Parts made of aluminum must be oxidized according to standard GB/T 92-81.
2. The maximum use angle of this ladder is 30°.
3. Finished framework of ladder should not be changed in shape and deflection; checking is referred standard of GB*3116-82.
4. Load test:
When the part ladder is supported horizontally on both end supports and applied with 75kg force every 20cm, there shall be no defect in all parts of the ladder and also the maximum deflection in the middle of the ladder shall not exceed L/75 mm.

技术要求

1. 铝质零件必须进行氧化处理，应符合GB*3116-82。
2. 本梯最大使用角度30°。
3. 完工后的梯架不得有变形、扭曲、裂纹、缺陷。
4. 负载试验：
当梯架水平支撑于两端支点上，按每隔20cm施加75kg荷载，梯架在试验中不得产生永久变形，最大挠度不得超过L/75 mm。



NO	MARK	NAME	QTY	MATERIAL	REMARKS
17		regular device	2	assembly	
16		rod φ24	1	steel	
15		handrail ropes	1	nylon rope	
14		handgrip eye plate	4	L75	
13		roller device	2	assembly	
12		handrail stanchion	1	L75	
11		handrail socket	4	aluminum alloy	
10		eye ring	4	aluminum alloy	
9		strengthening plate	4	aluminum alloy	
8		doubling plate	4	aluminum alloy	
7		cover plate	4	aluminum alloy	
6		strengthening slot	4	aluminum alloy	
5		start stay	4	aluminum alloy	
4		bottom framework	4	aluminum alloy	
3		beam	4	aluminum alloy	
2		vertical stay	4	aluminum alloy	
1		ladder frame	1	aluminum alloy	

铝质踏板	L-7500
ALUMINIUM WHARF	
200	1:20