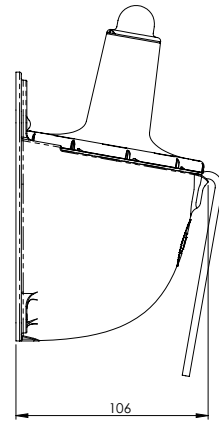
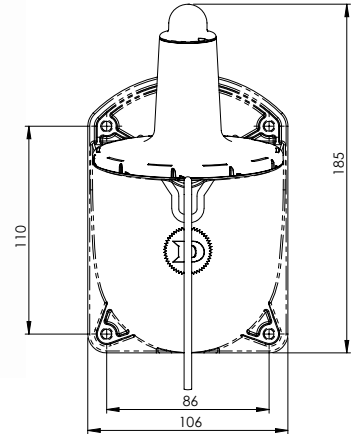


TECHNICAL DATA SHEET

LIFEBUOY LIGHTS



MODEL	L160	L161	L162	L163
Part number	62-001A	62-002A	62-003A	62-004A
Colour – Light	Yellow		International Orange	
Colour – Bracket	Black			
Light – Output	2 Candela minimum			
Light – Duration	2 hours min	2 hours min	15 hours min	15 hours min
Light – Type	Flashing LED			
Material – Lifebuoy Light	Polypropylene Ether + PS			
Material – Bracket	Polypropylene			
Storage Temperature	-30° C to + 65° C			
Operating Temperature	-1° C to + 30° C			
Storage Life	5 years	5 years	5 years	5 years
Drop Height	76 metres			
Weight – Nominal	255 grams	300 grams	300 grams	320 grams
Battery Type	Lithium Manganese Dioxide			
Activation	Automatic via Pull Cord			
Intrinsically Safe	No	Yes	No	Yes
Nato Stock number	6230 99 613 4941	6230 99 366 5928	-	-
Approvals – Classification Societies	SOLAS/MED	SOLAS/MED/ ATEX/IECEx	SOLAS/MED/ USCG/ETL	SOLAS/MED/USCG ATEX/IECEx/ETL
Approvals – Country	See our web site for full list of Country approvals			

Transport Specification

UN Hazard Code: Exempt from transport packing, marking and labelling regulations under surface ADR & IMDG Special Provision 188, IATA Packing Instruction 970 Section II

UN Number: 3091

UN Proper Shipping Name: Lithium metal batteries contained in equipment

Packing Group: II

Lithium Content,

L160: 0.54 g (Lithium metal battery)

L161: 1.08 g (Lithium metal battery)

L162: 1.45 g (Lithium metal battery)

L163: 1.45 g (Lithium metal battery)

Watt hour rating,

L160: 4.65 wh

L161: 9.30 wh

L162: 13.44 wh

L163: 13.44 wh

Labelling: Packages must be labelled with the Lithium Battery Handling label

Packing Specification

To minimize shipping costs, all Lifebuoy Lights are packed in either boxes of 10 off or 20 off.

The dimensions are;

Box of 10 off: 58 x 23 x 20 cm

Box of 20 off: 46 x 46 x 31 cm

Approximate packed weights are,

L160: 10 off at 3.7 kg. 20 off at 7.4 kg

L161: 10 off at 4.2 kg. 20 off at 8.3 kg

L162: 10 off at 4.2 kg. 20 off at 8.3 kg

L163: 10 off at 4.4 kg. 20 off at 8.7 kg

Further Information

The Product Brochure, Installation & Operating Instructions & Material Safety Data Sheet (MSDS) can all be found on our web site. This information was correct at time of going to press, please check our web site for any updates.

Daniamant operates a policy of continuous improvement and reserves the right to amend the specifications in accordance with that philosophy.



IECEx number:
ITS09.0022X



ATEX number:
ITS09ATEX26366X

MED/SOLAS



0038/YY



Intertek
3195124

Daniamant Ltd

Unit 3, The Admiral Park
Airport Service Road
Portsmouth, PO3 5RQ
United Kingdom

Tel +44 23 92 67 51 00
Fax +44 23 92 67 51 01
sales@daniamant.com

Daniamant ApS

Industrivej 24C
3550 Slangerup
Denmark

Tel +45 47 37 38 00
Fax +45 47 37 38 09
orders@daniamant.com



DANIAMANT