



DNH

HEAD OFFICE, NORWAY
DNH AS

Phone..... + 47 35 98 56 00
Fax..... + 47 35 98 56 10
E-mail..... dnh@dnh.no
Web-Site..... www.dnh.no

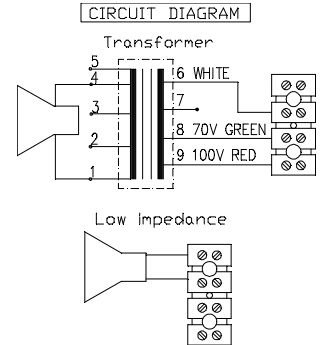
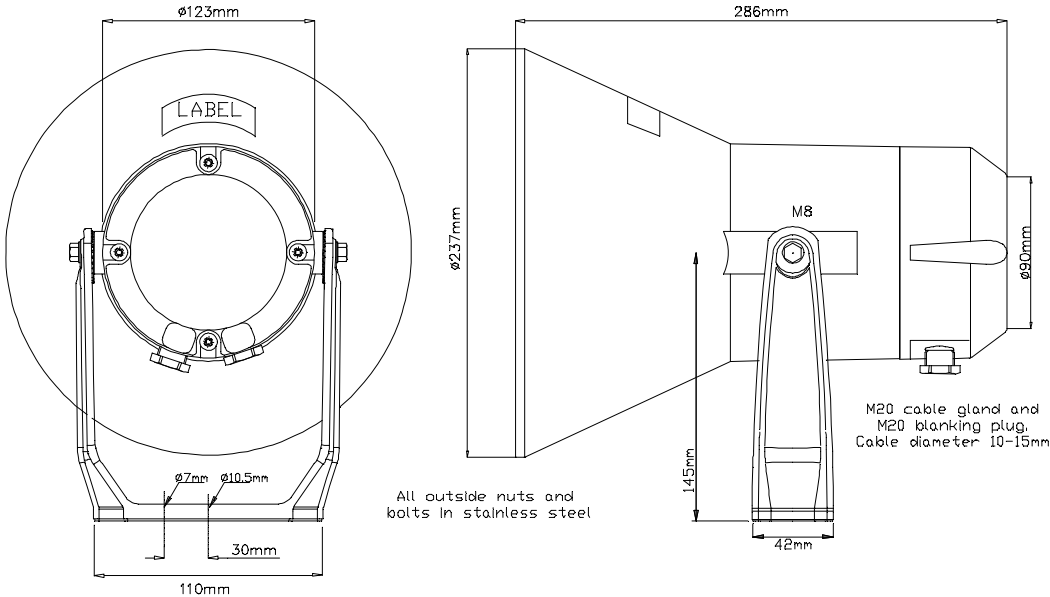
ENGLAND
DNH WW Ltd
Phone..... + 44 1908 275 000
Fax..... + 44 1908 275 100
E-mail..... dnh@dnh.co.uk

GERMANY
DNH GmbH
Phone... + 49 040 6569 30-0
Fax..... + 49 040 6569 30-30
E-mail..... dnh@dnh.de

USA
DNH Speakers Inc
Phone..... + 1 484 494 5790
Fax..... + 1 484 494 5793
E-mail..... dnh@dnhspeakers.com

ISO 9001 CERTIFIED

HP-20EExIIN(T)



70/100 volt combined transformer
Primary connections

White : Green 70 V
White : Red 100 V

Secondary nominal tapings

1 : 4	20 W
1 : 3	15 W
1 : 2	7,5 W
2 : 4	3,5 W
2 : 3	2,0 W

Certified by / Certification code / Number: NEMKO / Ex nA II T3 / 03ATEX3568

Sound pressure levels at 1W/1m
SPL vs Freq



Specifications

Material / Color	Anti-static PA / Black
Mounting	Bracket
Termination	Screw terminal
Weight w/transformer	2,3 kg
IP-rating	67
Max. / min. amb. temp	50°C / -50°C
Rated / max. power	20 W / 20 W
SPL 1W/1m	110 dB
SPL rated power	120 dB
Effective freq. range	310 – 8000 Hz
Dispersion (-6dB) 1kHz / 4kHz	115° / 30°
Directivity factor, Q 1kHz / 4kHz	3,4 / 14,1
Options	Impedances, colors, labels

Installation, Operation and Maintenance Procedures

- Unscrew lid (4 screws). Lead cable through cable gland and connect to screw terminal (100V or 70V).
- Tighten cable gland to ensure IP-grade.
- Fasten lid with a torque of 2-3 Nm.
- Fasten bracket with 1-3 screws.
- To change the position of the loudspeaker, please adjust the bracket (by loosening / tightening the screws) as required.
- HP-20EExIIN(T) is designed for Zone 2 environment.
- For optimum performance, always use the correct voltage / power and operate within the frequency limits as stated.
- Do not open loudspeaker when energized.
- This loudspeaker is supplied with a 2 year warranty against defective workmanship.

DNH reserves the right to alter specifications without notice

