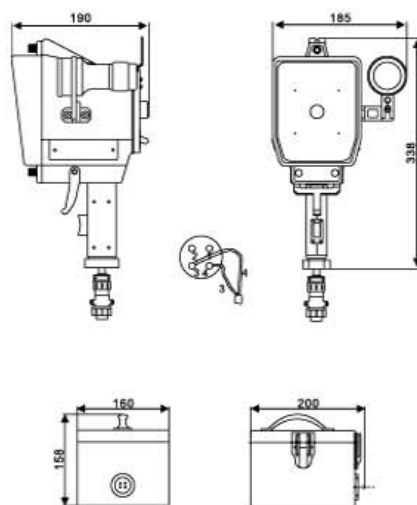


CXD8 白昼信号灯

DAYLIGHT SIGNAL LIGHT

国际代码 International Code: CXD8 330641 CXD8-CDX 330646 CXD8-XDX 330647



适用范围

适用于各类船舶之间白昼信号联络之用。

主要技术参数

- 电压及功率：24V/60W
- 光柱角：6°
- 望远镜视角：3°
- 灯座：G6.35
- 防护等级：IP44
- 电缆外径：Φ9.5
- 光强：60,000cd
- 望远镜倍率：4
- 可见距离：2n . m
- 插头：四插 25M-4A
- 重量：5.28kg

产品特点

- 1、壳体采用优质铸铝模压成型，机械闪光装置；
- 2、重量轻，操作及携带方便。

采用标准

- 1、经中国船级社“CCS”认证，认证编号 ZJ20P4039-8。
- 2、符合《MS.C.95(72) 决议》和 JISF8456-1996。
- 3、专利号：ZL 2014 3 0497341.5。
- 4、经美国船级社“ABS”认证，认证编号 18-SQ1799333-PDA

控制器 CXD8-CDX

- 输入：AC110V/60Hz、AC220V/50Hz/60Hz
- 输出：DC24V、DC12V
- 容量：7Ah
- 使用温度：-25°C ~45°C
- 插座：四插 25M-4B 三插 25M-3B
- 防护等级：IP20
- 重量：2.53kg
- 定货时请注明电压和频率

The scope of application

Applied to daylight signal communication between the ships.

Main technical parameter

- Voltage/Power: 24V/60W
- Light pillar angle: 6°
- Telescope visual angle: 3°
- Lamp holder: G6.35
- Protection class: IP44
- Cable outside diameter: Φ9.5
- Light intensity: 60,000cd
- Telescope magnification: 4
- Visibility: 2n.m
- Plug: Four pin 25M-4A
- Weight: 5.28kg

Products characteristic

1. With good quality cast aluminum shell and mechanical flash device.
2. Light, convenient to operate and bring.

Production authentication

1. Approval by CCS(China Classification Society), certificate number ZJ20P4039-8.
2. Conform to 《MS.C.95(72) DECISION》 and JISF8456-1996.
3. Patent No.:ZL 2014 3 0497341.5.
4. By the American Bureau of Shipping "ABS" certification, certificate number 18-SQ1799333-PDA

Controller CXD8-CDX

- Input: AC110V/60Hz、AC220V/50Hz/60Hz
- Output: DC24V、DC12V
- Capacity: 7Ah
- Temperature: -25°C ~45°C
- Socket: Four pin 25M-4B Three pin 25M-3B
- Protection class: IP20
- Weight: 2.53kg
- Mark the voltage and frequency when order